

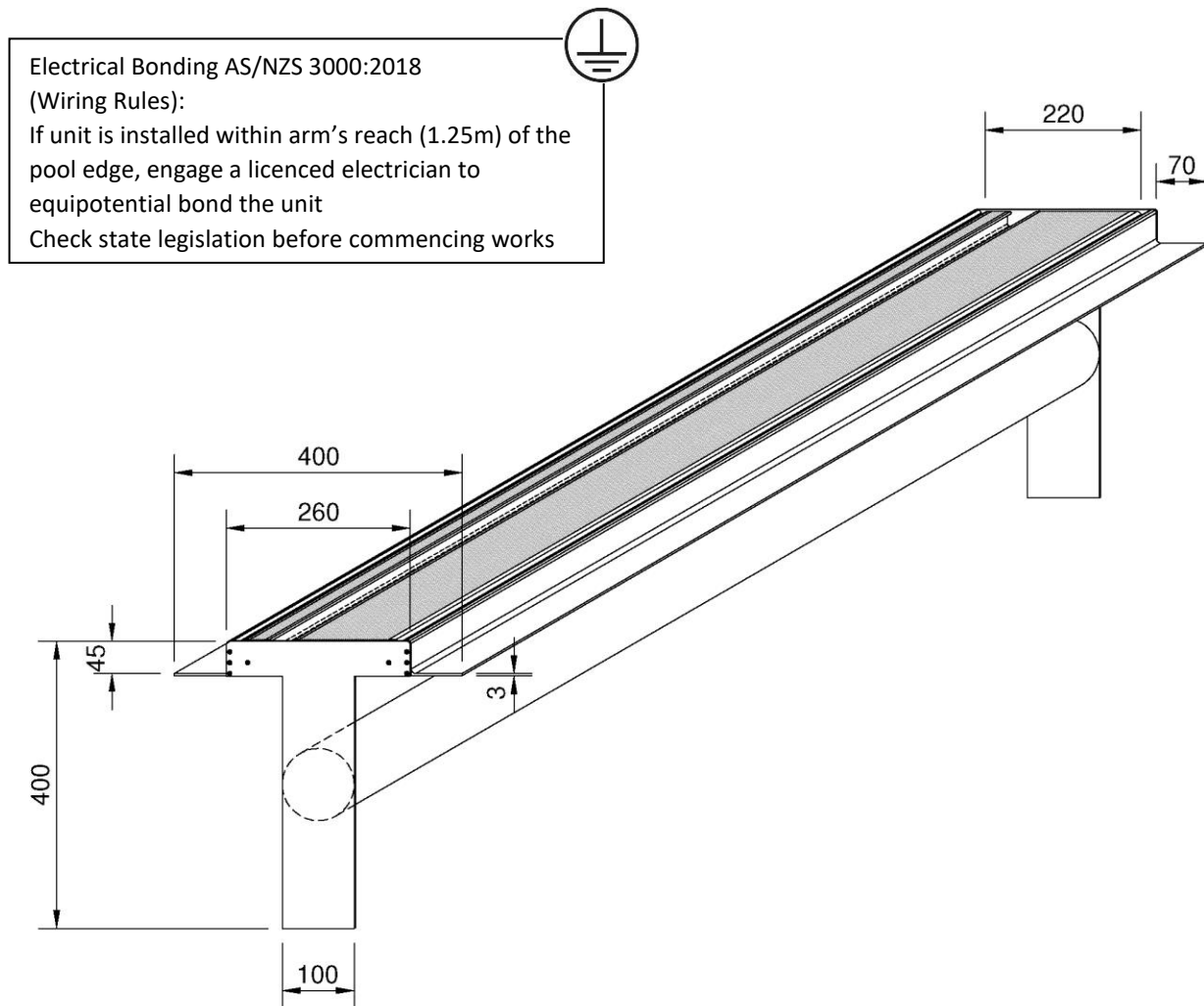
Deck Mount Roller (DMR) installation guide

The DMR unit can be suspended under a deck frame or rested on a wall structure or support beams, the mounting options are up to you.

The deck mount roller has a mounting plate 50mm lower than the top lid all the way down the length of the DMR on the front and back so the unit can be mounted on or under a frame while still having decking/paving come up to the top of the unit.

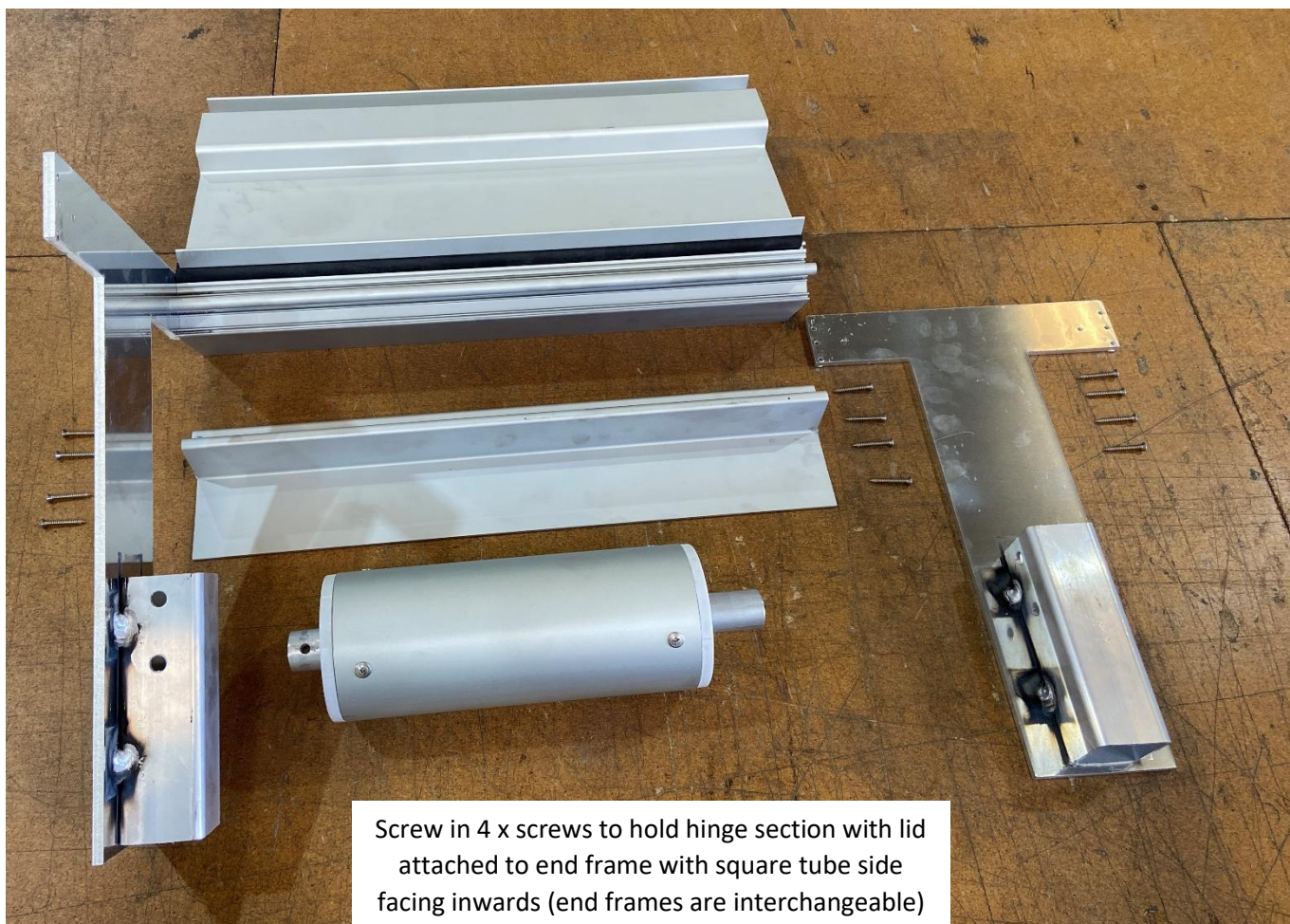
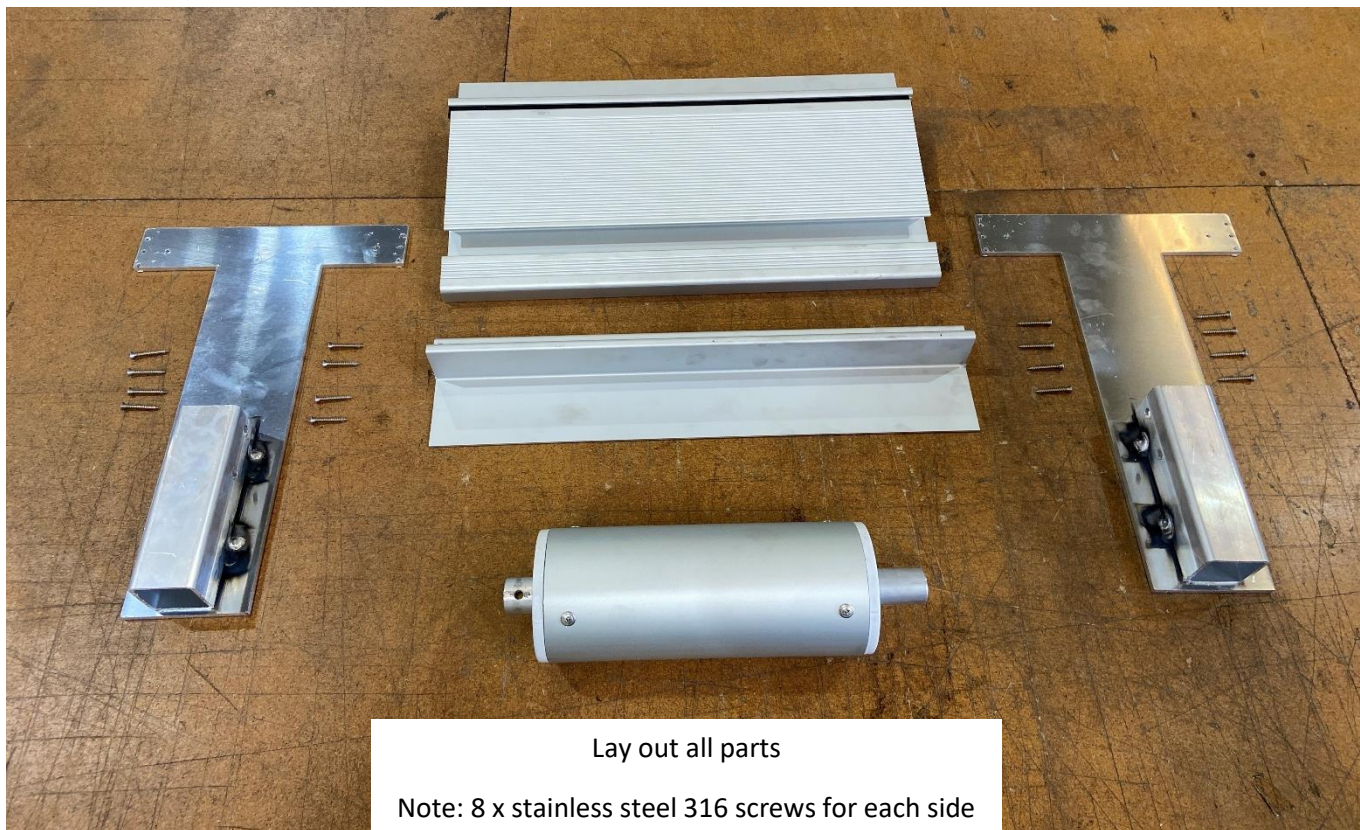
The structure or pit you have will determine how the unit is mounted, we don't drill mounting holes as we don't know how the unit will be secured...similarly we don't supply the mounting screws/bolts/anchors as the requirements vary too much

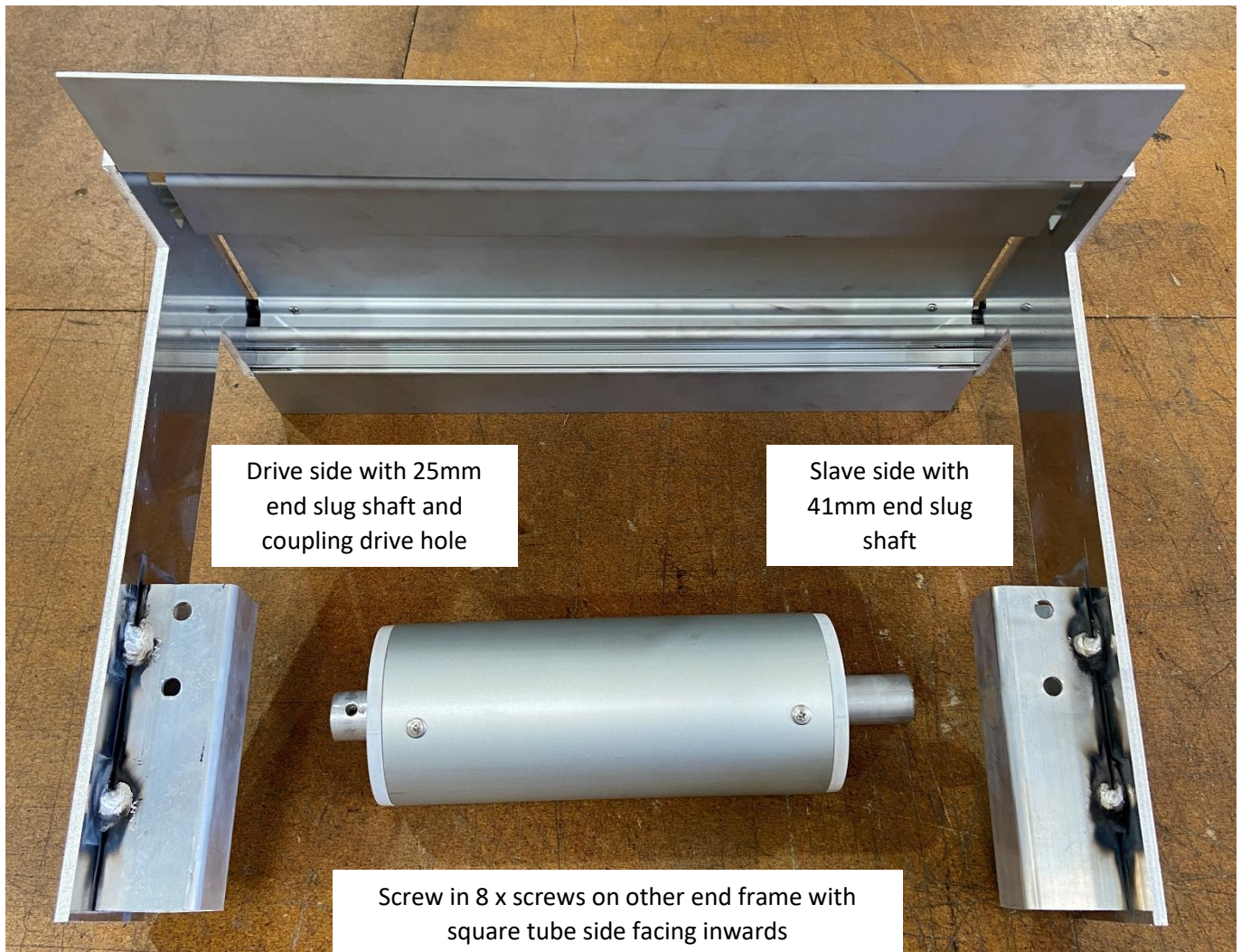
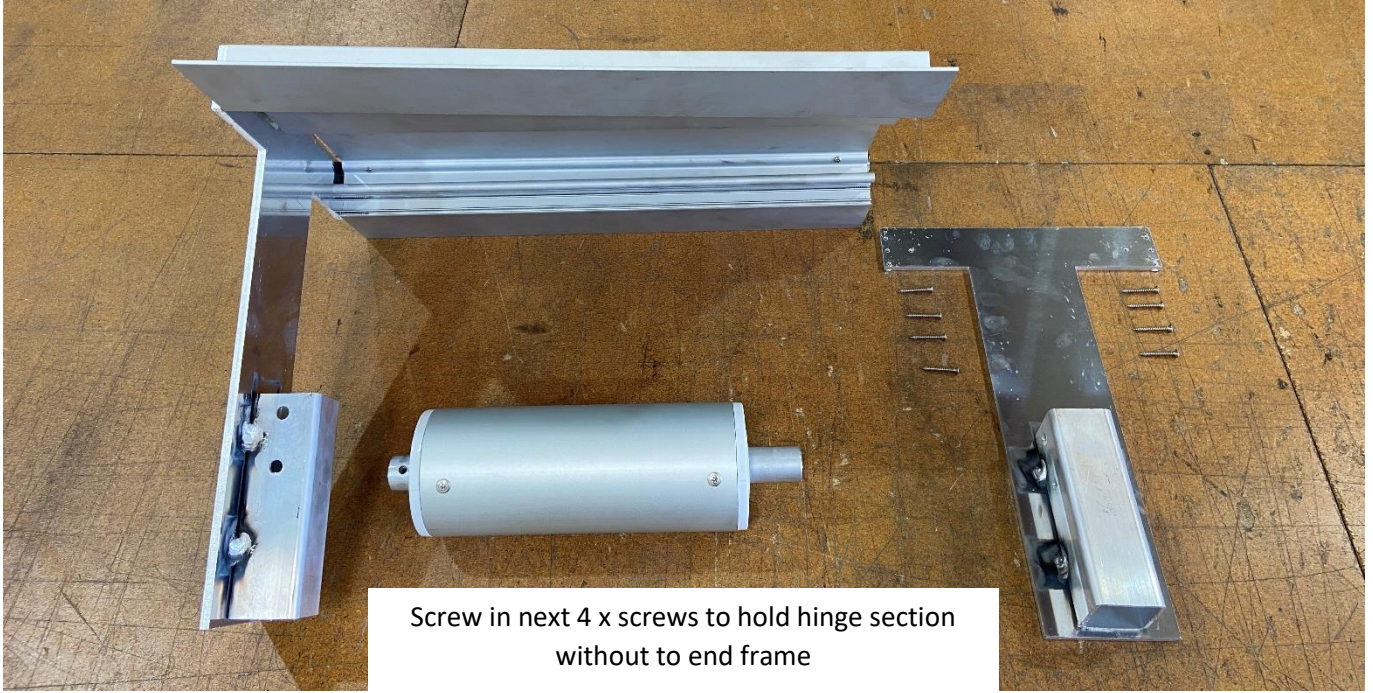
Note: 400mm clearance required in the pit for the cover to be rolled up in



Length of DMR is to the outside of the unit. Prepare mounting for DMR to either sit on or be suspended under noting finished height of the unit should be finished paving/deck level

For transport, the DMR is delivered flat packed. Unpack and lay the goods in a clean area to avoid cosmetic damage, if you have rough ground place the parts on something to protect them before building the DMR



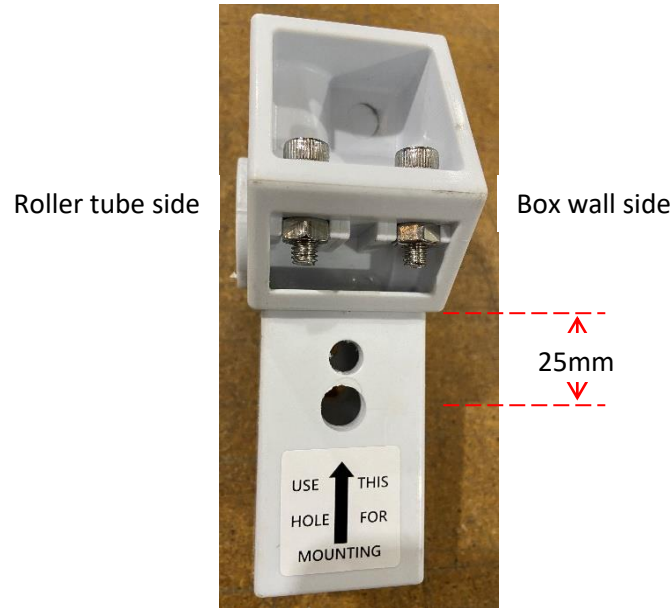


Connect gearbox drive coupling to 25mm end slug with hole through using 6mm bolt and nyloc nut

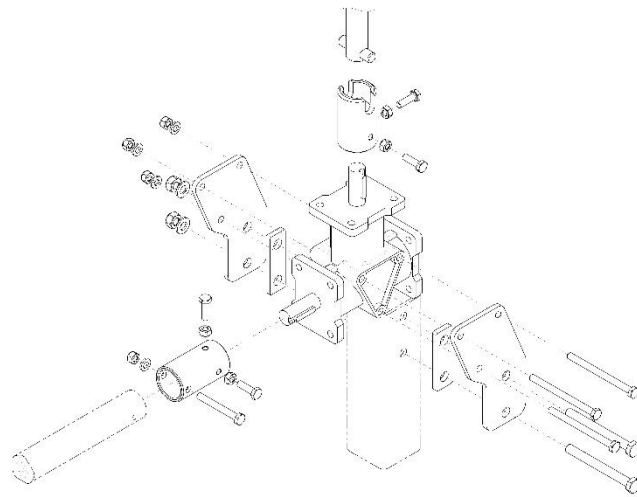
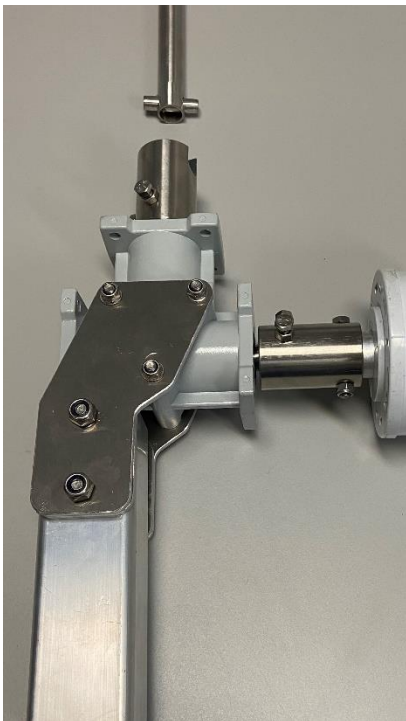
Slide mounting post onto slave (non drive) end slug (41mm long shaft)

Mount either end inside box depending what side is desired for using the drive

Bolt slave mounting post to square frame by inserting post, insert 1 x 8mm bolt through mounting hole 25mm down



Bolt drive onto other end square mounting frame with the 2 x 8mm bolts through square tube mounting and 3 x 6mm bolts through gearbox



The roller Bevel Gearbox drive mechanism can be installed either side of unit. To change ends simply unbolt the 8mm mounting bolts (through square tube) to remove and turn the roller around

1. Install DMR square to pool by securing DMR to mounting with lid opening towards pool
Whole length of DMR should be supported to avoid damage or usage problems
To prevent lid from decolourisation, protect lid from concrete slurry, sealers, acids and chlorine
2. Install Pool Cover to DMR

To operate the roller:

- a. To Recover: insert handle drive into socket, rotate handle to recover pool cover all the way into the unit.
Place handle inside unit, close lid
- b. To Deploy: remove handle from unit so it does not damage the pool cover, take hold of one side of the pool cover and gently walk down the length of the pool

Note:

- i. Always roll the cover 'over' the tube never 'under' the tube
- ii. If there is any obstruction on the cover it will make the roller harder to use, stop and check to avoid damaging the pool cover

Pool Cover installation for Deck Mounted Rollers

Install the pool cover to maximum water line size then test the operation of the DMR. The pavers over the edge of the pool the pool can catch the sides of the pool cover acting like a brake. This is of no concern for normal above ground rollers as the roller is picking up, or pulling the cover up and out of the pool. With the DMR's the cover is being pulled along the ground, meaning the edges are being pulled into the corners not out of them. Square pools and pools with non-round paving generally will be 'grab' the cover more

Simply trimming the pool cover narrower, to the coping opening size will fix the problem

Regular Maintenance:

- Ensure lid is clear of debris, sand and dirt to avoid scratching the lid if people walk over it
- Check all mounting bolts are secure
- Check all coupling bolts are secure
- Apply smear of marine grade grease to gearbox shafts

Register Your Warranty Online

Because your Daisy can last for so many years, register your warranty online at Daisy. We'll keep all your details safe for you so you don't have to!

Two easy steps:

1. Scan your purchase receipt. Ensure the date of purchase is clearly visible.
2. Go to our website, and click on Warranty Registration. Fill in the details and send!

Please staple your purchase receipt to this page. Register online now @ www.daisypoolcovers.com.au

We rarely get a warranty claim but just in case anything goes wrong we're here to help you. All Daisy products come with a pro-rata warranty which covers the purchaser for defective materials or workmanship on a pro-rata basis. The manufacturer will repair or replace the product upon inspection or photo image. Daisy reserves the right to refuse repeat claims of the same damage. This warranty may be void if the purchaser fails to comply with the manufactures install instructions.

Retain your proof of purchase for warranty coverage or register your warranty online

Failure to follow the installation steps correctly or excessive compacting around the box when installed may result in crushing of the box front and/or back walls that will make the lid hard or unable to open. Repairing or fixing the lid being due to it being unable to open due to this installation techniques is not covered under the warranty
5 Year Structural Warranty does not cover scratches or chips to the powder coating colour or finished surfaces