

## CERTIFICATE OF COMPLIANCE—DESIGN

### To

Relevant building surveyor:

Postal address:

### From

Building practitioner: Kenneth Brett Bargallie

Category and class: Civil Engineer

Registration No: NPER 174326

Postal address: 37a Newman Avenue  
Blueys Beach  
NSW 2428

### Property details (if applicable)

Not Applicable

### Compliance

I have independently checked the design and I certify that the TRANQUILITY Pools Swimming Pool Systems listed below, comply with the Structural Provisions of the NCC 2022 Volume 1 – Section B Structure and Vol 2, Part H1 Structure., AS 1838; AS 1839: AS 3600.

### Design documents

#### Tranquility Pools Specifications – BARGALLIE & Associates P/L

##### Drawings:

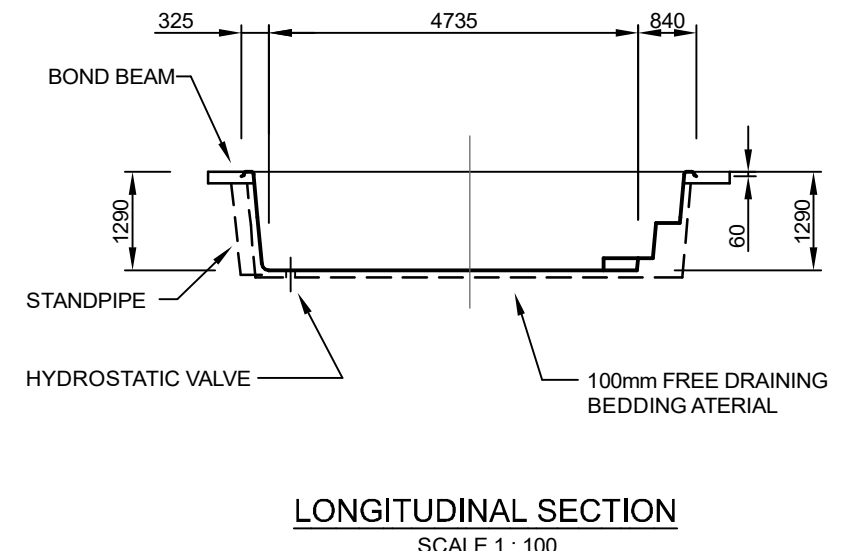
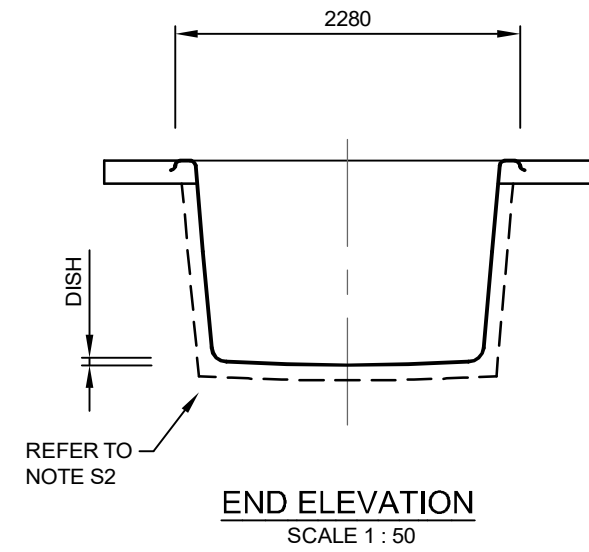
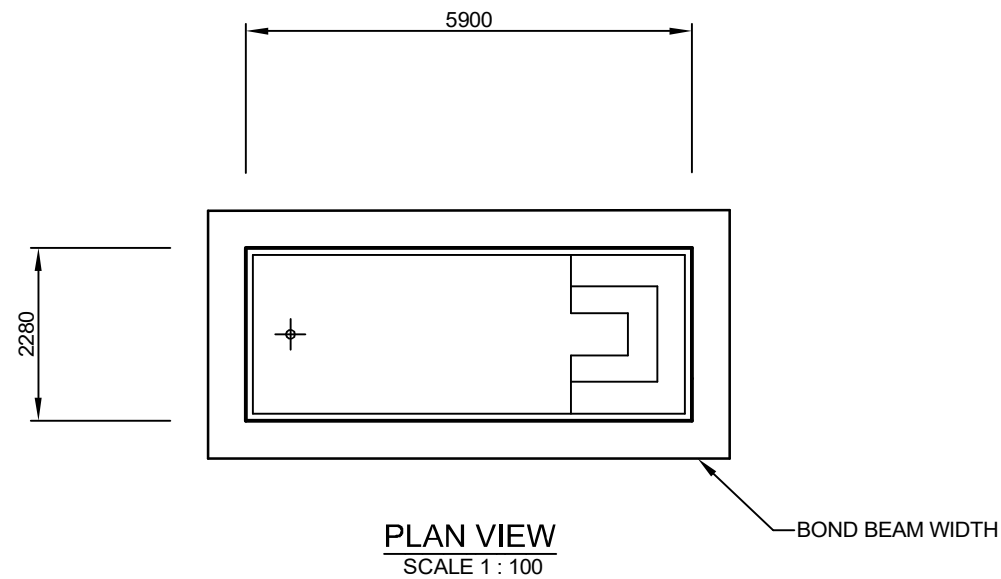
Tranquility Pools: AMB A; CLEO A; COS 6A, 7A, 8A, 9A, 10A, 11A; CSC 8A; HMTN A; LAP A; MAJ 7A; NOVA 5A, 6A; Oa6 B, Oa7 B; SL6 A, SL7 A; TRC A; TRAN 6A & 7A, REEF A; STD 01B, STD 02B, STD 03B and S01 B 23001-Hutson.

### Signature

Signed:



Date: 09.08.2023



NOTE S1:  
S1. A SITE INVESTIGATION SHALL BE CARRIED OUT AS PER CLAUSE 3.3 OF AS1839:2021.

NOTE S2:  
S2. A CONCAVE SHAPE SHOULD BE SCREEDED INTO THE BEDDING MATERIAL WITH A MINIMUM FALL OF 1 : 100.

NOTE:  
FOR STANDARD POOL BOND BEAM DETAILS REFER TO DRAWING 21001 STD01 A.

ISSUE	DESCRIPTION	APP'D.	DATE
A	2021 - ISSUE	BB	15/11/2021

*Brett Bargallie*  
BRETT BARGALLIE  
MIEAust MEngSc CPEng NER  
CHARTERED PROFESSIONAL ENGINEER  
MEMBER No. 174326

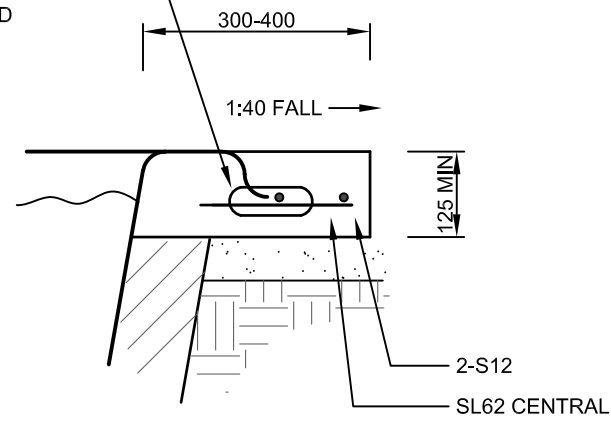
**BARGALLIE & ASSOCIATES P/L**  
CONSULTING CIVIL & STRUCTURAL ENGINEERS  
ACN 108 249 485  
PACIFIC PALMS - 37A NEWMAN AVE. BLUEYS BEACH 2428  
FORSTER - LEVEL ONE, BUILDING Q  
HEAD STREET CARPARK  
Ph. 6552 9030 Mobile : 0412 088 416  
Email : brett@bargallie.com

client  
**TRANQUILITY POOLS**

project  
**AMBASSADOR  
STANDARD SHELL DETAIL**

title					
AMBASSADOR					
DES	DRN	SCALE	JOB NO.	DRG.NO.	ISSUE
BB	GF	1 : 50 1 : 100		AMB	A

3mm GALVANISED TIE WIRE OR GALVANISED BRICK TIES @ 600 CTRS. IN HOLES DRILLED IN POOL SHELL AND TIED TO REINFORCEMENT

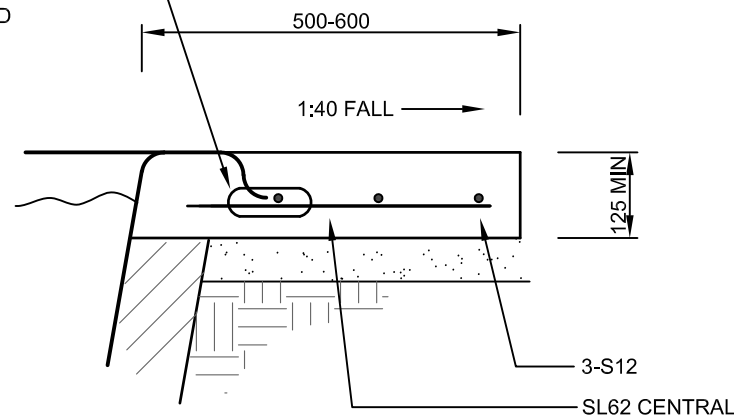


**CONCRETE BOND BEAM DETAILS  
CONSTRUCTION DETAILS**

25Mpa CONCRETE-MAX. SLUMP 80mm-CONCRETE TYPE GP  
SCALE 1 : 10

NOTE 'A'  
BACKFILL IN ACCORDANCE WITH AS 1839:2021  
CLAUSES 4.2, SECTION 5 & CLAUSE 6.4.

3mm GALVANISED TIE WIRE OR GALVANISED BRICK TIES @ 600 CTRS. IN HOLES DRILLED IN POOL SHELL AND TIED TO REINFORCEMENT

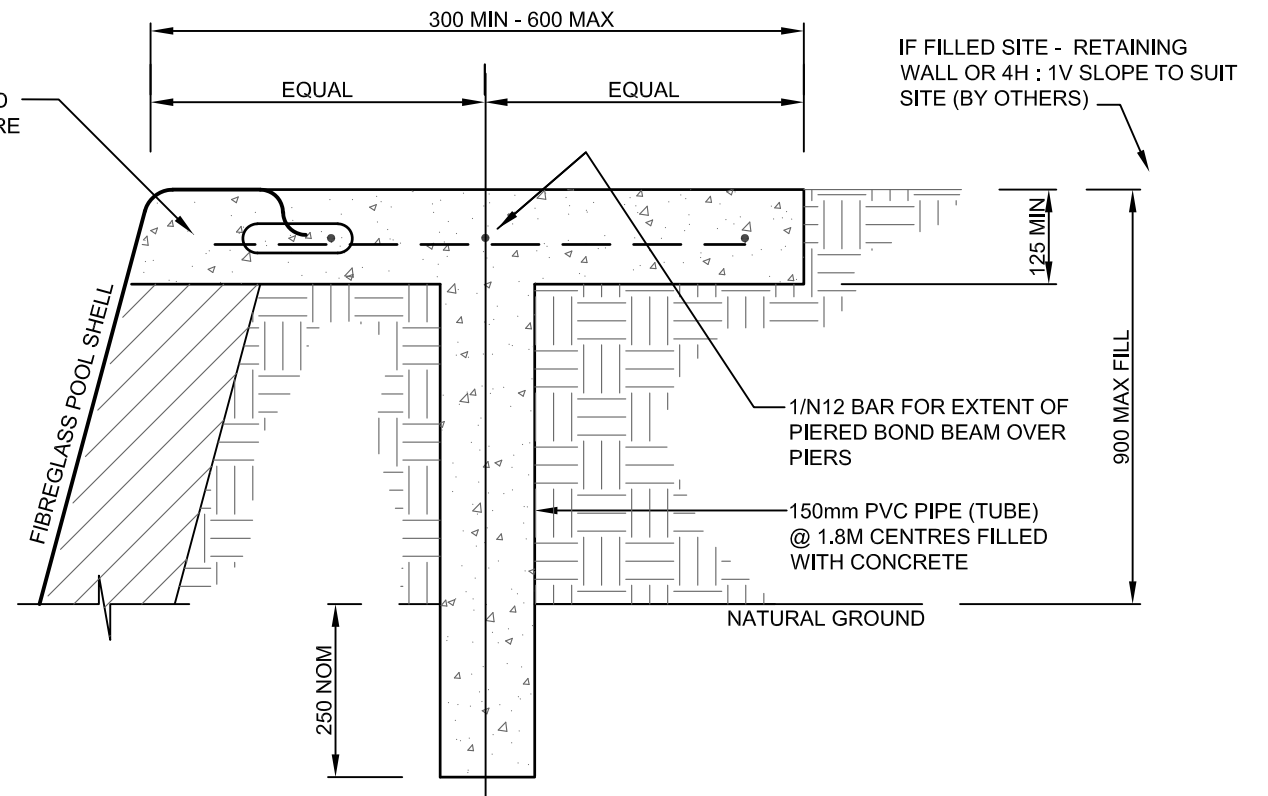


**CONCRETE BOND BEAM DETAILS  
CONSTRUCTION DETAILS**

25Mpa CONCRETE-MAX. SLUMP 80mm-CONCRETE TYPE GP  
SCALE 1 : 10

NOTE 'A'  
BACKFILL IN ACCORDANCE WITH AS 1839:2021  
CLAUSES 4.2, SECTION 5 & CLAUSE 6.4.

CONSTRUCT AS STANDARD BOND BEAM EXCEPT WHERE NOTED OTHERWISE



**PIERED CONCRETE BOND BEAM (FOR BOND BEAMS UP TO 600 WIDE)  
FOR FILL SITE OR WHERE FILL IS USED  
SCALE 1 : 10**

**NOTES:**

1. INSTALLATION TO BE IN ACCORDANCE WITH AS 1839 - 2021, REFERENCED DOCUMENTS, LAWS, REGULATIONS AND BY LAWS.
2. SPECIFIC ATTENTION TO POOL DRAINAGE. SEE AS 1839 CLAUSES 6.2, 6.3 AND FIGS 6.2.1, 6.2.3, 6.2.6, 6.3. CONNECT HV SUMP TO SUBSOIL DRAINS.
3. SUPPORT FOUNDATION TO BE COMPETENT, STABLE WITH A MIN CAPACITY OF 50KPa ( SEE NOTE (S1) ).
4. **INSTALLATION OF TRANQUILITY POOLS IN HIGHLY REACTIVE CLAY SITES - CLASSIFICATION 'H1' AND 'H2' TO AS 2870-2011**

For the installation of Tranquility Fibreglass pools in Highly Reactive Clay Sites, we recommend the standard pool installation specifications be amended as per the following:

1. The minimum base and side backfill be increased to 200mm.
2. The backfill material is to be Dry hand mixed Cement/Sand of minimum ratio 1:6 by volume.
3. To maintain performance within the Installation Tolerances refer to Appendix A of AS 1839:2021. In some instances additional excavation and controlled Backfill (for pools of sloped base) may be required.
4. The coping slab (Bond Beam) is fixed to the pool @ 600 ctrs. with 3mm ties.
5. The Bond Beam is to be 600mm wide. Other details to be as shown on the standard Pool Installation Drawings.
6. We also recommend that the area surrounding the pool be paved and drained to a stormwater system for a minimum 2m width beyond the bond beam and that no planting (soft landscaping) be made within this Zone.

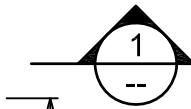
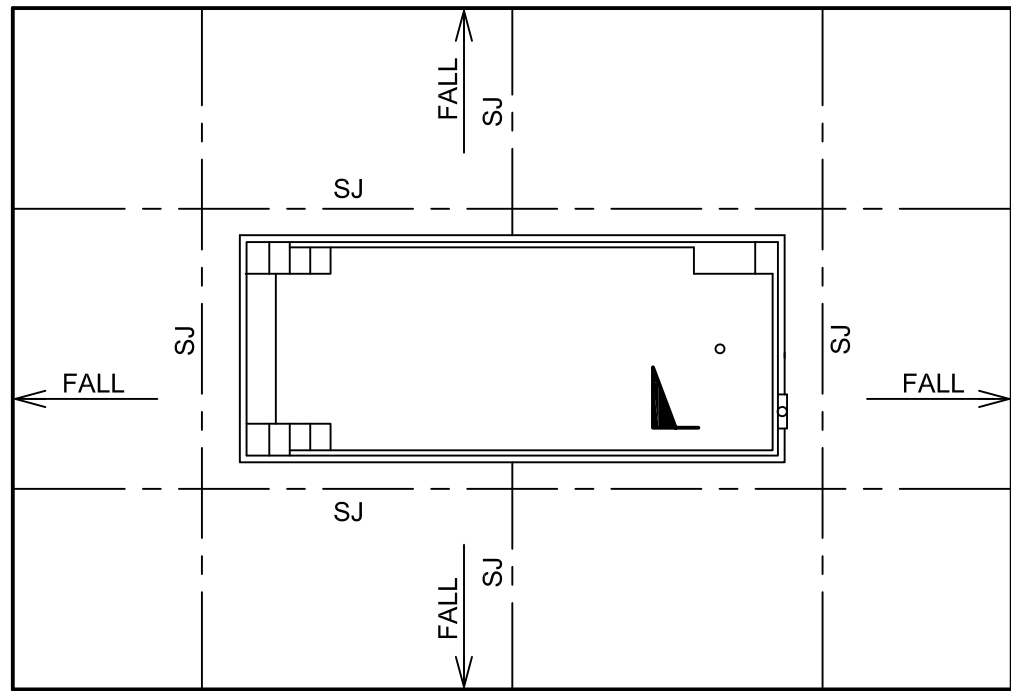
ISSUE	DESCRIPTION	APP'D.	DATE
A	2021 - CONSTRUCTION ISSUE	BB	19/10/2021

*Brett Bargallie*  
BRETT BARGALLIE  
MIEAust MEngSc CPEng NER  
CHARTERED PROFESSIONAL ENGINEER  
MEMBER No. 174326

**BARGALLIE & ASSOCIATES P/L**  
CONSULTING CIVIL & STRUCTURAL ENGINEERS  
ACN 108 249 485  
PACIFIC PALMS - 137A NEWMAN AVE. BLUEYS BEACH 2428  
FORSTER - LEVEL ONE, BUILDING Q  
HEAD STREET CARPARK  
Ph. 6552 9030 Mobile : 0412 088 416  
Email : brett@bargallie.com

client	
project	

title					
CONCRETE BOND BEAM STANDARD DETAILS SHEET 1 OF 3					
DES	DRN	SCALE	JOB NO.	DRG.NO.	ISSUE
BB	GF	1 : 10	21001	STD01	A



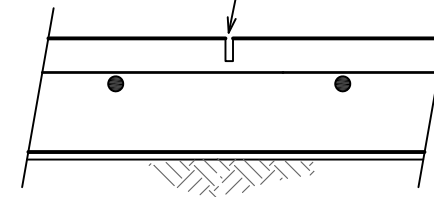
3000  
MAX.

3000  
MAX.

**SLAB PLAN - UNIFORM BEARING**

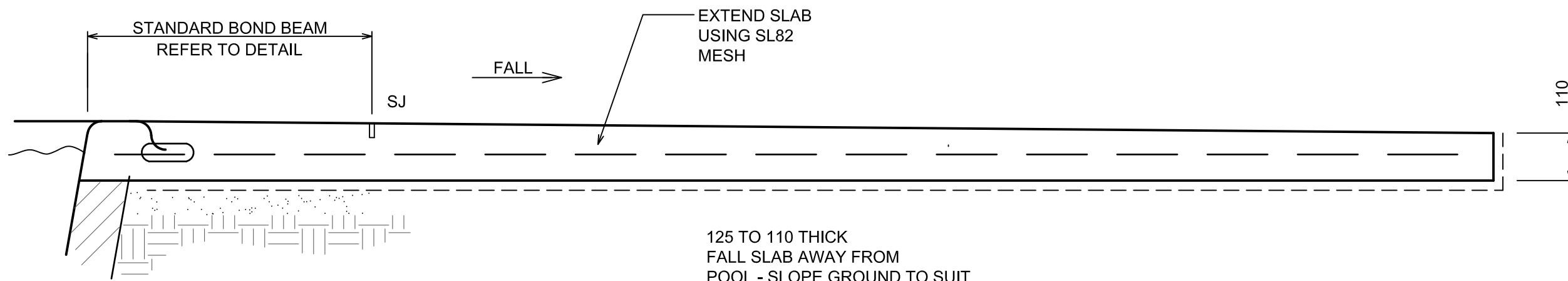
(NO PIERS REQUIRED)  
SCALE 1 : 100

30 DEEP SAW CUT  
4mm WIDE FILLED  
WITH MASTIC SEALANT



**'SJ' SAW JOINT**

MAKE CUT 12-24 HOURS  
FROM TIME OF POUR



125 TO 110 THICK  
FALL SLAB AWAY FROM  
POOL - SLOPE GROUND TO SUIT

**SECTION 1**  
SCALE 1 : 10

- \* FALLS TO POOL CONCOURSE 1 : 100 MINIMUM
- \* LOCATE SJ TO SUIT COPING TILE PAVER

ISSUE	DESCRIPTION	APP'D.	DATE
A	2021 - CONSTRUCTION ISSUE	BB	19/10/2021

*Brett Bargallie*

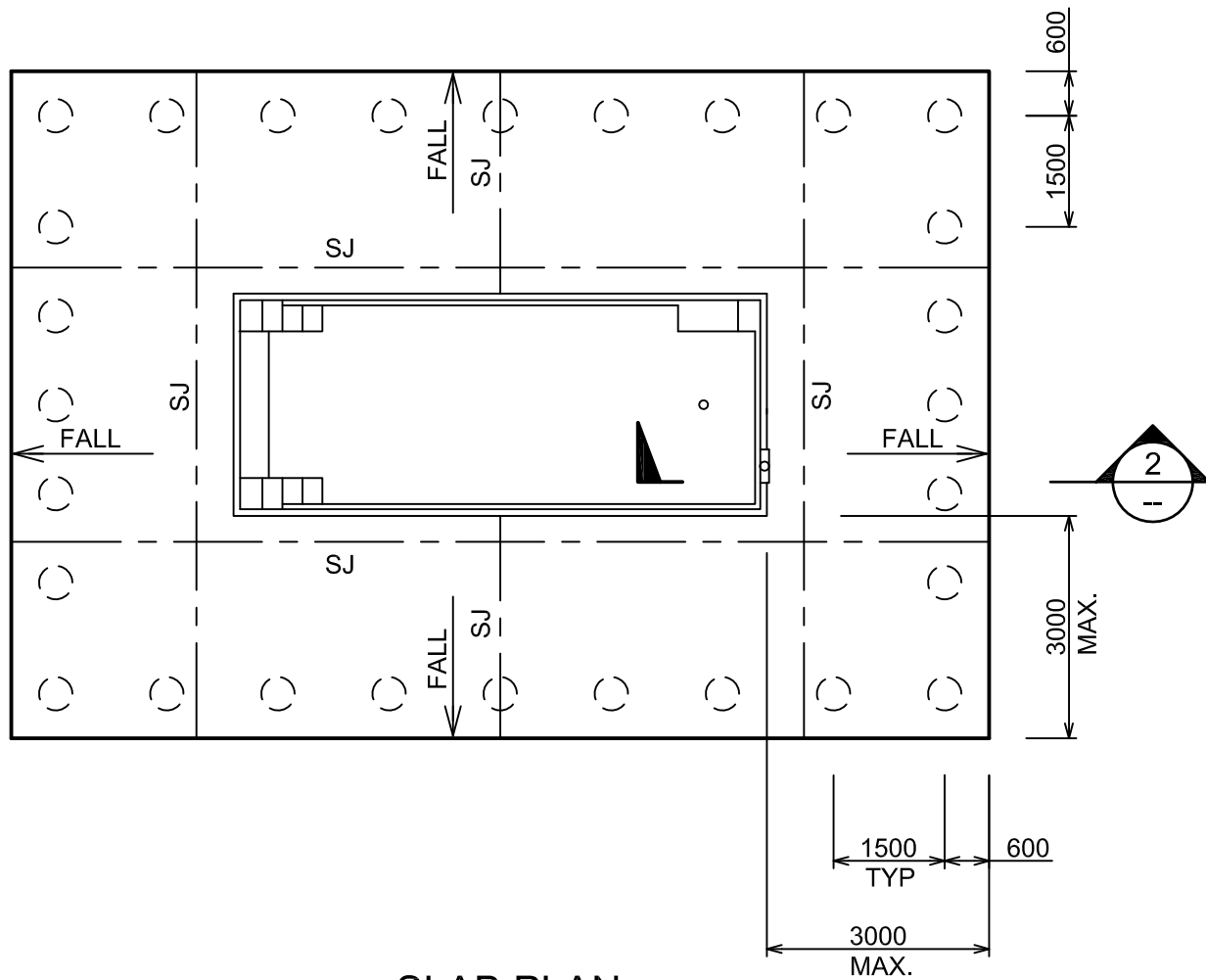
BRETT BARGALLIE  
MIEAust MEngSc CPEng NER  
CHARTERED PROFESSIONAL ENGINEER  
MEMBER No. 174326

**BARGALLIE & ASSOCIATES P/L**  
CONSULTING CIVIL & STRUCTURAL ENGINEERS  
ACN 108 249 485  
PACIFIC PALMS - 137A NEWMAN AVE, BLUEYS BEACH 2428  
FORSTER - LEVEL ONE, BUILDING Q  
HEAD STREET CARPARK  
Ph. 6552 9030      Mobile : 0412 088 416  
Email : brett@bargallie.com

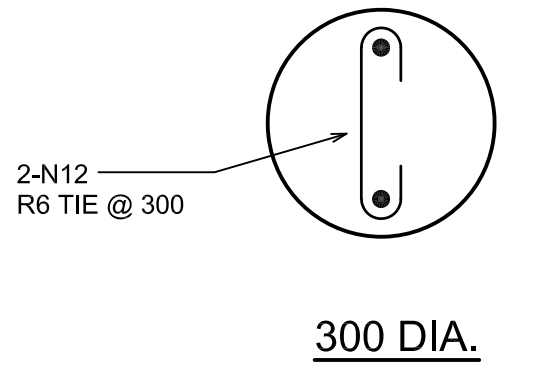
client  
**TRANQUILITY POOLS**  
project  
**STANDARD DETAILS**

title  
**EXTENDED CONCOURSE  
UP TO 3.0m FOR UNIFORM BEARING  
STANDARD DETAILS  
SHEET 2 OF 3**

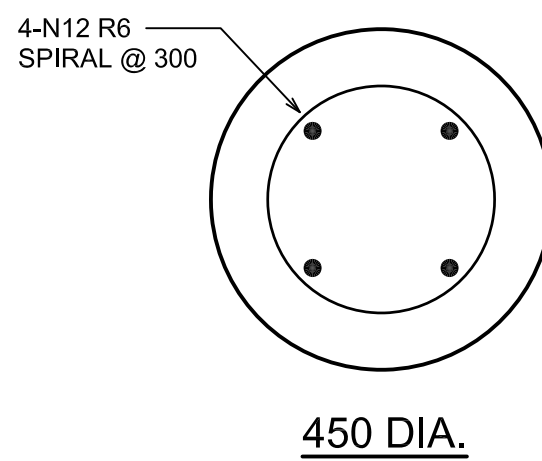
DES	DRN	SCALE	JOB NO.	DRG.NO.	ISSUE
BB	GF	AS SHOWN	21001	STD2	A



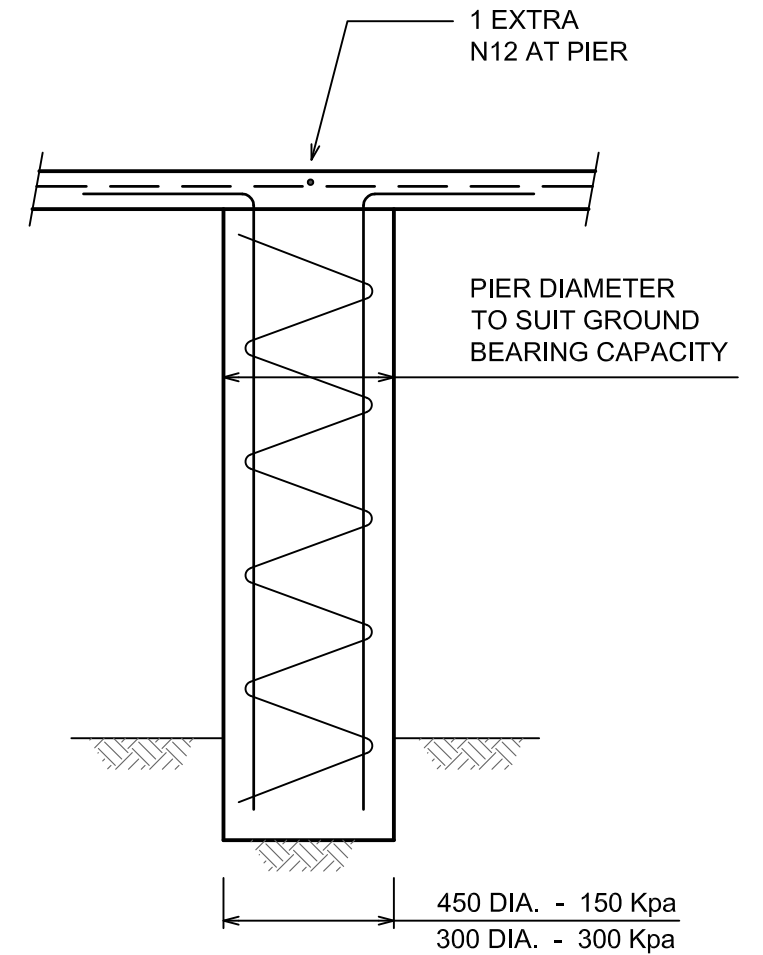
**SLAB PLAN**  
SCALE 1 : 100



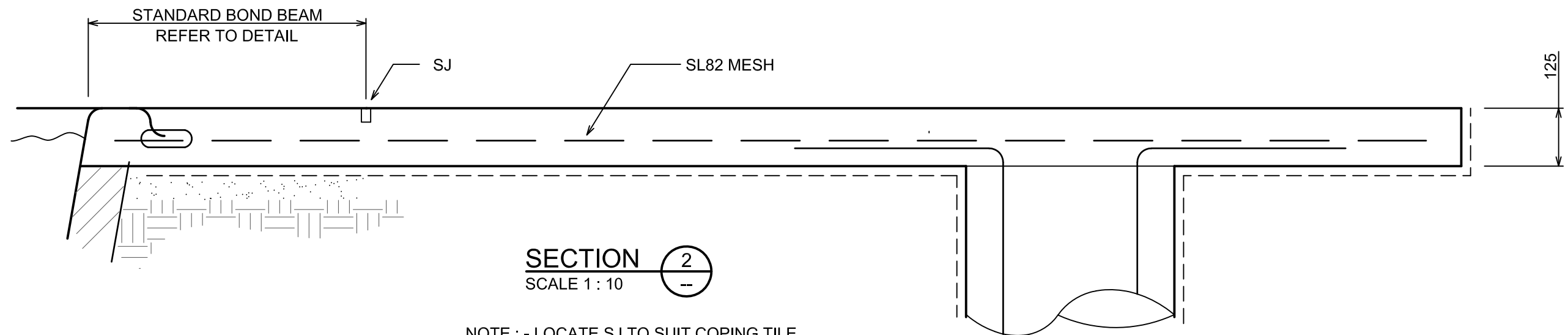
**300 DIA.**



**450 DIA.**



**PIER DETAIL**



**SECTION 2**  
SCALE 1 : 10

NOTE : - LOCATE SJ TO SUIT COPING TILE

ISSUE	DESCRIPTION	APP'D.	DATE
A	2021 - CONSTRUCTION ISSUE	BB	19/10/2021

*Brett Bargallie*  
BRETT BARGALLIE  
MIEAust MEngSc CPEng NER  
CHARTERED PROFESSIONAL ENGINEER  
MEMBER No. 174326

**BARGALLIE & ASSOCIATES P/L**  
CONSULTING CIVIL & STRUCTURAL ENGINEERS  
ACN 108 249 485  
PACIFIC PALMS - 137A NEWMAN AVE, BLUEYS BEACH 2428  
FORSTER - LEVEL ONE, BUILDING Q  
HEAD STREET CARPARK  
Ph. 6552 9030  
Email : brett@bargallie.com  
Mobile : 0412 088 416

client	TRANQUILITY POOLS
project	STANDARD DETAILS

title					
EXTENDED CONCOURSE PIERED SLAB FOR NON-UNIFORM BEARING STANDARD DETAILS SHEET 3 OF 3					
DES	DRN	SCALE	JOB NO.	DRG.NO.	ISSUE
BB	GF	AS SHOWN	21001	STD3	A